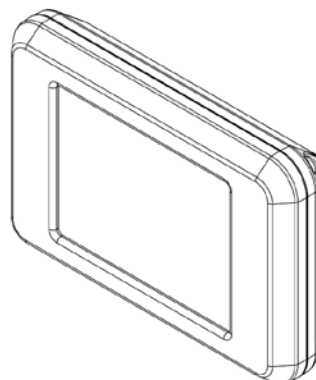


MACS Display module GPD



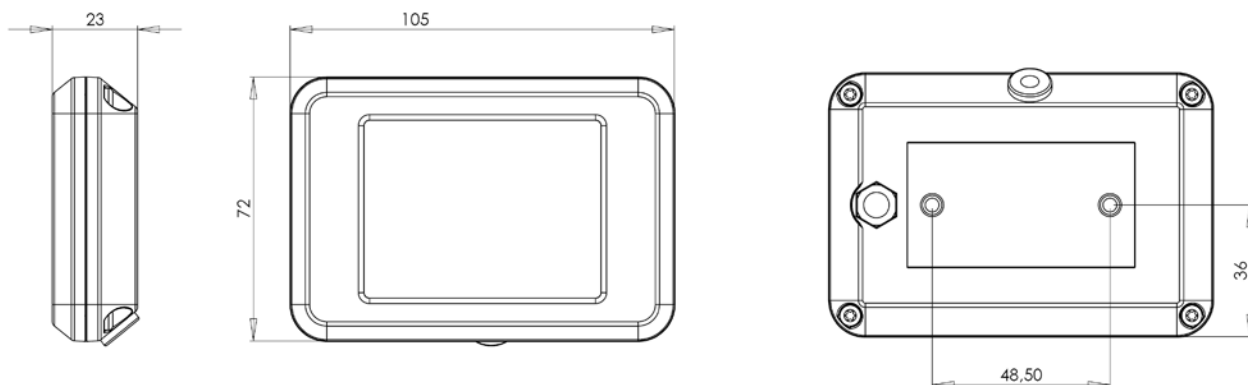
Description

The GPD Display module is designed to be used as a information display or a service tool for the MACS system in earth-moving machinery. It has a big 3,2" TFT color display with touch panel and features functions for showing bucket angles, making fast automatic adjustments, showing warning and error indication, troubleshooting and can also interact with other CAN-bus-connected units.

Technical data

Nominal Voltage	12 and 24 V
Supply voltage, permissible range	8 to 36 V
Current consumption	
12 V system	Up to 205 mA
24 V system	Up to 85 mA
Fuse external in supply path	Max. 10 A
Electromagnetic compatibility	Acc. To ISO 13766:2006
Operating temperature	-40 to +70 °C
Storage temperature	-40 to +85 °C
Case material	ABS
Weight	150 g
Degree of protection	IP 50
CAN termination resistance	600 Ω

Dimensions



Mounting instructions

Contact SVAB for more information about available attachments.

Connections

M8 Connector (standard M8 4-pole female connector)		
1	(Brown) +IN	+ Supply voltage
2	(White) CAN_H	CAN High
3	(Blue) GND	GND
4	(Black) CAN_L	CAN Low
CAN bus connected units must use the same GND reference.		

Ordering information

With M8 cabling 1 m. GPD Cable	149003
With integrated M8 connector GPD M8	149005

Name of document	Authorized	Date	Revision number
149003 149005 Data sheet.docx	Magnus Sandgren	2013-03-20	C