

PROPORTIONAL ROLLER

HECR II

DATA SHEET

Description

The HECR II is a finger / thumb controlled dual proportional output spring-back roller used for proportional steering. The HECR II uses hall effect technology and is constructed for small mounting dimensions. The HECR II is fully backward compatible with the HECR I.

Features and Benefits

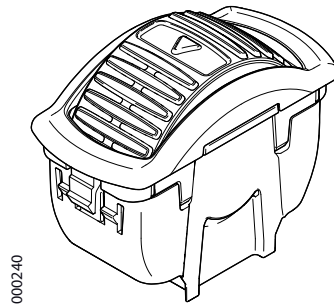
- Rubberized roller surface - Greater friction.
- Constructed with high performing electrical linearity in mind - Allows stable calibration with minimal error detections.
- Sturdy construction and good magnetic shielding - Long operating life and reduced risk of external influences.
- Programmable output range - Good compatibility.
- RoHs/Weee/Reach compliance

Electrical characteristics

Sensor type	Hall-effect
Resolution	12-bit DAC
Nominal supply voltage (Vs)	5 Vdc
Operating voltage range	5±0.5 Vdc
Output	Dual analog programmable outputs ratiometric to Vs
Output voltage tolerance (@5Vdc Vs)	± 0.15 Vdc
Max load/output	5mA (1kΩ)
Max current consumption (@max load)	25 mA

Mechanical characteristics

Roller mechanical angle	± 40°
Roller mechanical force	0.65 to 1.08 N
Operating life	> 5 million cycles
Weight	11g
Material wheel	PCABS/TPU
Material housing	POM
MTTFd	4715 years

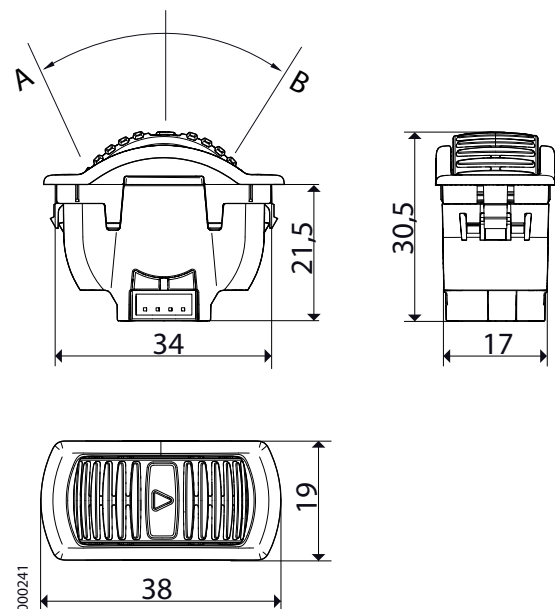


000240

Environmental parameters

Operating temperature	-40 to +90°C
Storage temperature	-40 to +90°C (100°C for 2h)
Ingress protection rating	IP (test in progress) acc. to ISO20653 when mounted in panel
EMI/RFI rating	100 V/m acc. to ISO13766
ESD	±8 kV contact discharge ±15 kV air discharge acc.to ISO10605 mounted in panel
Shock	Free fall acc. to ISO16750-3
Vibration	Test VII acc. to ISO16750-3

Dimensions



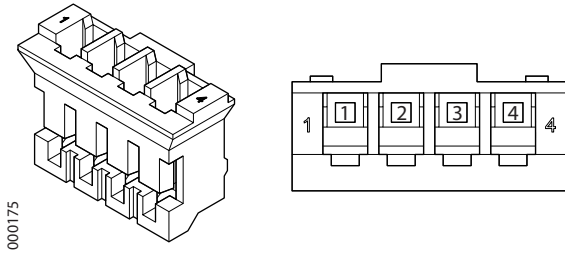
000241

Recomending panel opening	34,1x17,1mm
Panel thickness	3 - 5mm

Name	Authorized	Date	Revision no
DOC-000311_Data sheet HECRII	SVFE	2015-11-17	C

Wiring Information

Cvilux CI01-04S (AWG 24 - 28)

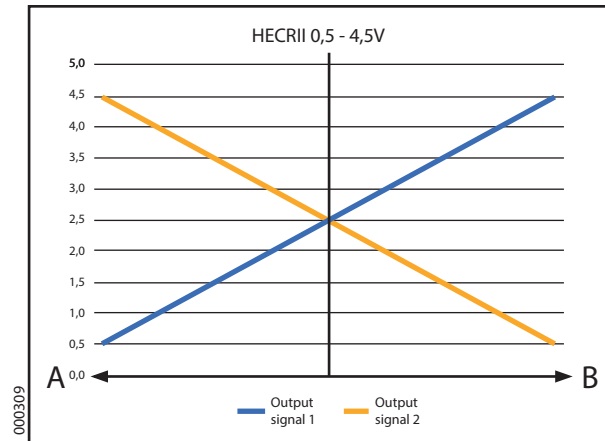


000175

1	GND
2	Output signal 1
3	Output signal 2
4	+ 5V

Terminal finish	Gold plating
-----------------	--------------

Output characteristics



000300

Ordering information

Articel no.	Output range (Round collar)
166700	0,7-4,3 V
166702	0,5-4,5 V
Articel no.	Output range (Plain collar)
166800	0,7-4,3 V
166802	0,5-4,5 V
166814	1,25-3,75 V

If different outputs than what is shown in the table above is required, please contact SVAB Hydraulik AB.